

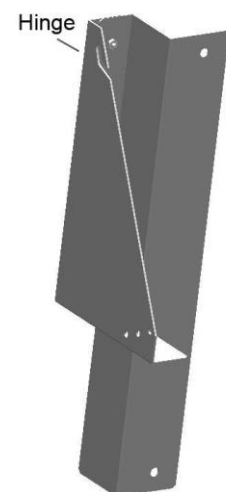
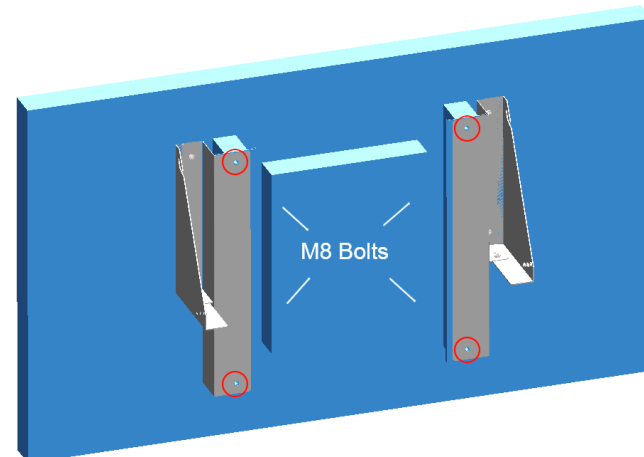
1 Mounting HDTV Monitor

Installing Brackets and HDTV Monitor

- Using the four M8 Mounting Plate Bolts, four Mounting Plate Flat Washers and four Mounting Plate Lock Washers, attach the two Mounting Brackets to the HDTV Monitor. See circles in image at right for location of bolts.

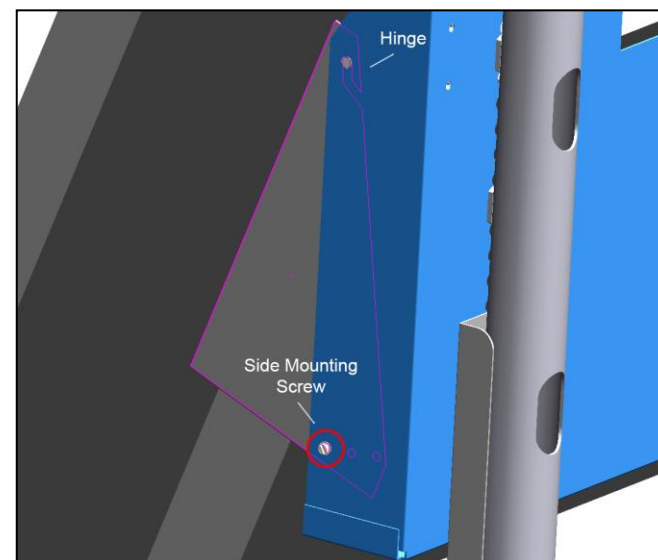


Each Mounting Bracket has a hinge on the side that attaches to a peg on the cabinet.



- With a minimum of two people lift the HDTV Monitor into position, aligning the hinges on each side of the Mounting Brackets with the pegs on the cabinet.

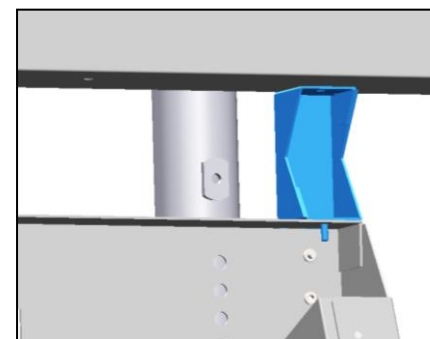
- Using two 8-32 x 3/8" Hex Screws, secure the Mounting Bracket to the mounting plate on each side of the cabinet.



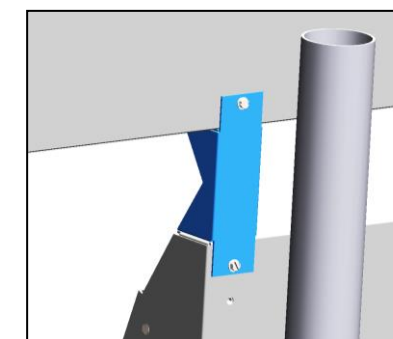
2 Mounting Marquee

Unpacking and Installing the Marquee Topper

- Carefully unpack the paper (do not snag LED wires) and remove the acrylic artwork from the front of the Marquee Topper.
- With a minimum of two people lift the Marquee Topper into position on top of the cabinet and carefully slide it onto the pegs protruding from the Marquee Mounting Brace. Attach one 8-32 x 3/8" Hex Nut to each peg and turn until tightened. On the back of the cabinet, attach one 8-32 x 3/8" Hex Screw through the Marquee Brace on each side. See images below.



Front



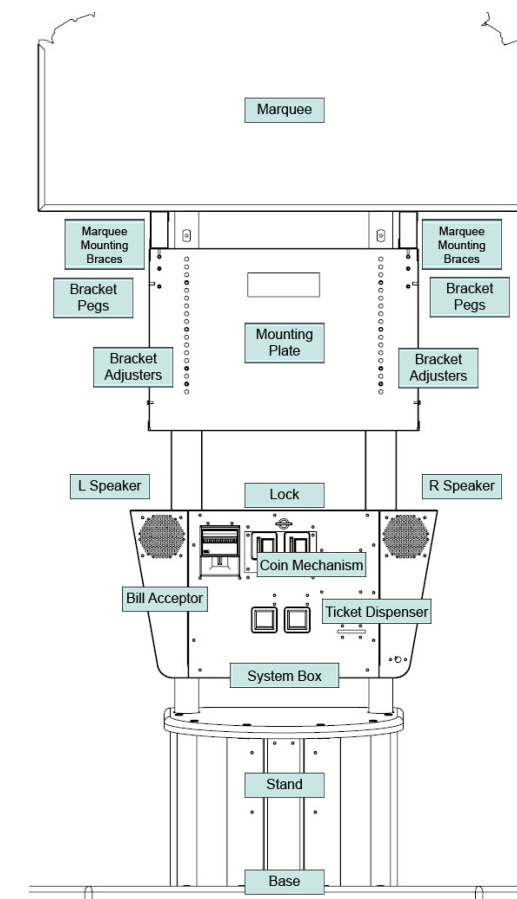
Back

- Remove the clear plastic coating from the front of the acrylic artwork. Lift the artwork into the pre-secured L-supports within the Marquee Topper.

See reverse side for peripheral installation information.

This Quick Start Guide is one of four guides IT uses to help operators better understand our IMPACT cabinets. For more detailed installation instructions, visit <http://amusement.itsgames.com/service/manuals> and download the Install Guide. When installation is complete use the Operator Menu Guide to change the settings in the menu.

If your cabinet needs repair, or you have a technical question, call (847) 870-7027 x380 between 7 a.m. and 6 p.m. CST Monday through Friday, or email support@itsgames.com.



3 Installing Peripherals

HDTV Monitor Plug-ins

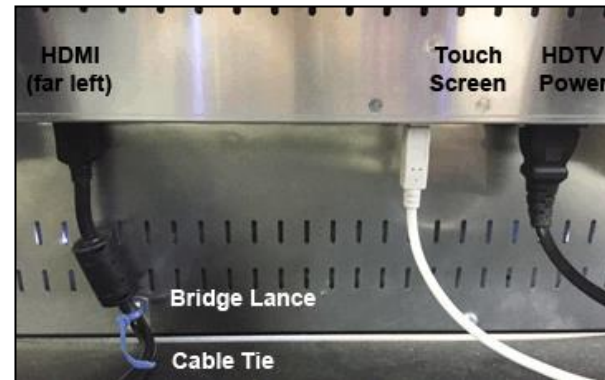


Make sure the cabinet is unplugged and the power is OFF.

- On the underside of the HDTV Monitor attach the HDMI cable to the far left HDMI port. Also attach the USB Touch Screen cord and the HDTV Monitor power cord. See image at right.
- Remove the small screw below the HDMI port and attach the Bridge Lance with the same screw. Feed the Cable Tie through the Bridge Lance and wrap the Cable Tie around the HDMI cable and zip closed.

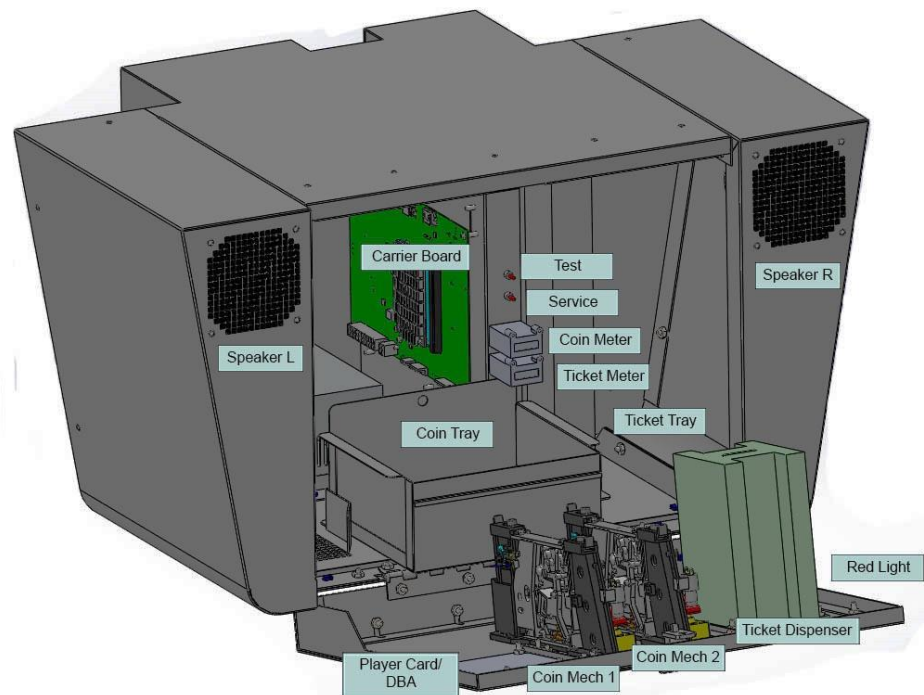
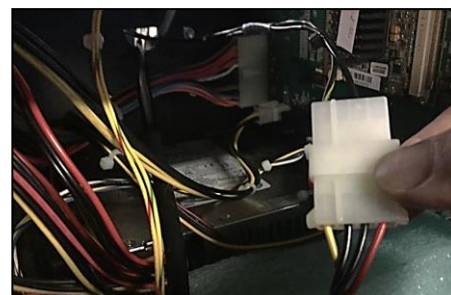


The Bridge Lance and Cable Tie hold the HDMI cord in place to prevent it from coming loose during game play.



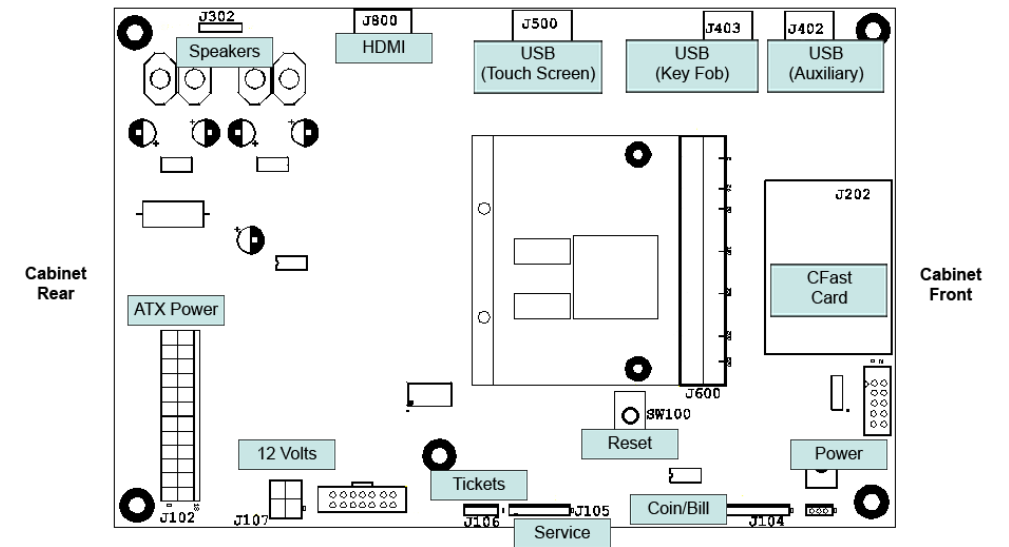
System Box

- Open the System Box (image below) from the front of the cabinet. Look for the Backing Plate at the back of the box. Remove the two 8-32 x 3/8" Hex Nuts and feed the HDMI cable and Touch Screen cord through the cable pass through. At this time also feed the Marquee Topper power cord through the pass through.
- Re-attach the Backing Plate to the pass through at the back of the System Box.
- Plug the Topper power cord into the ATX power supply cord. See image at right.



Carrier Board

- Locate the green Carrier Board mounted on the interior right side of the System Box. Along the top edge of the Carrier Board there are several USB ports and an HDMI port.
- Attach the HDMI cable to the HDMI port (J800) on the Carrier Board. Attach the white Touch Screen cable to the USB Touch Screen port (J500) on the Carrier Board.
- Attach the Security Key Fob to the USB port (J403). This Key Fob authenticates your software. **Do not remove it. Your game will not run without it.**
- Insert the CFast Card with the game software to the CFast slot (J202) just below and to the right of the Key Fob.



- Plug in the HDTV Monitor to a power source. Attach the Impact cabinet power cord to the back of the cabinet and also plug in to a power source. Turn ON the cabinet. The game should boot up immediately and be ready to play in a few minutes. When power is supplied to the cabinet the Marquee Topper automatically illuminates.
- Check to make sure the game is working and that all of the touch points on the screen work. To make any adjustments in the Operator Menus press the red Test button above the coin meter.



For the Operator Menus Guide, visit our web site at <http://amusement.itsgames.com/service/manuals>

- Power OFF the cabinet and install the Player Card/Bill Acceptor peripheral for your device.
- Attach the stickers for Swipe Card/Tokens/Coins in the appropriate positions on the outside of the System Box.
- Locate the Ticket Tray inside the cabinet and stack tickets into the tray. Feed the tickets out through the Ticket Dispenser.



When tickets are running low, the red light on the outside of the cabinet illuminates.